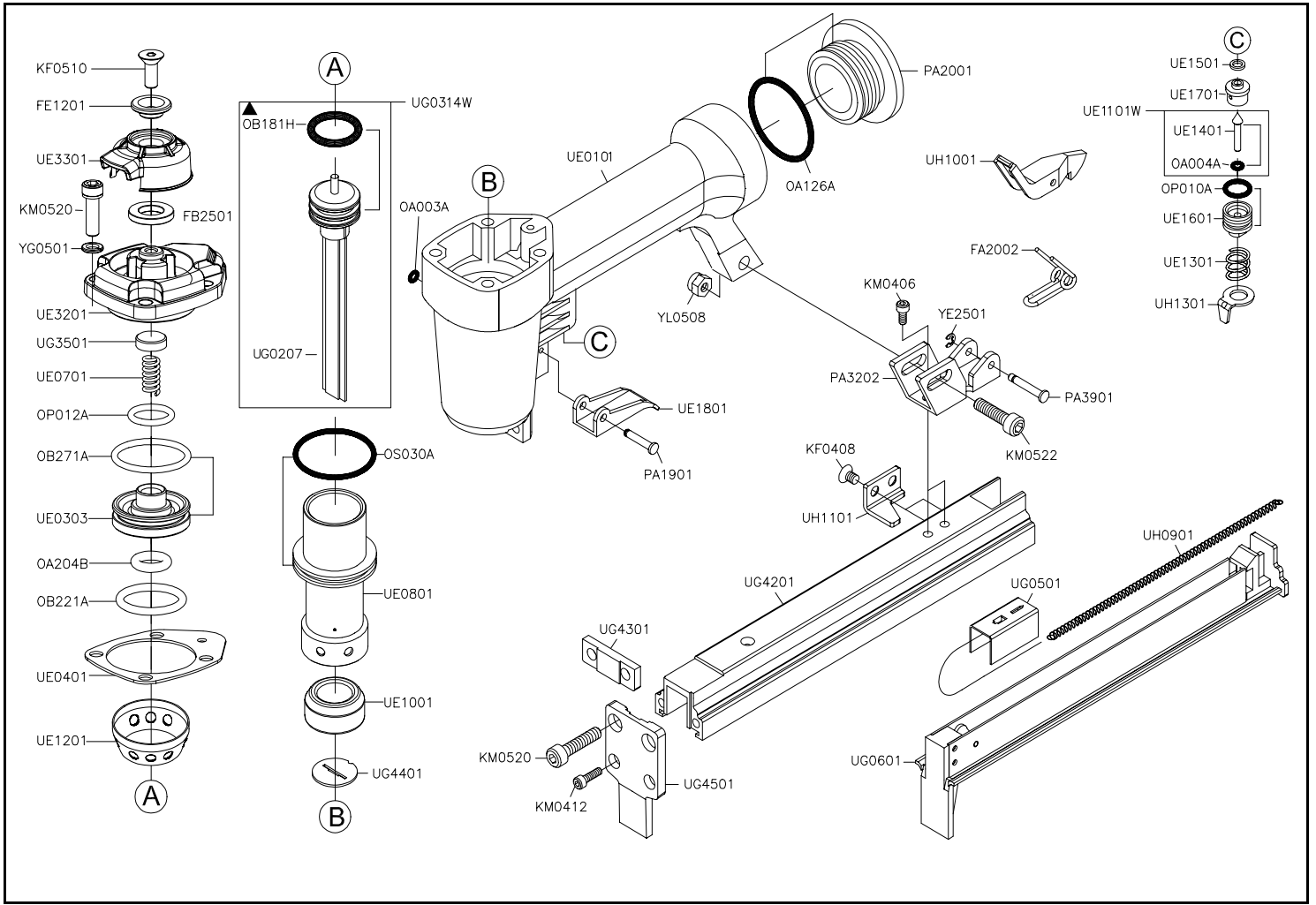


# TH-T-FW10B



| Parts No.         | Description      | Spec         | Q'ty | Parts No.          | Description         | Spec | Q'ty | Parts No.          | Description       | Spec   | Q'ty |
|-------------------|------------------|--------------|------|--------------------|---------------------|------|------|--------------------|-------------------|--------|------|
| TH-P-FW10B-FA2002 | SPRING           |              | 1    | TH-P-FW10B-PA1901  | PIN                 |      | 1    | TH-P-FW10B-UE3301  | EXHAUST CAP       |        | 1    |
| TH-P-FW10B-FB2501 | PISTON STOP      |              | 1    | TH-P-FW10B-PA2001  | END CAP             |      | 1    | TH-P-FW10B-UG0207  | DRIVER SET        |        | 1    |
| TH-P-FW10B-FE1201 | EXHAUST CAP RING |              | 1    | TH-P-FW10B-PA3202  | SUPPORT             |      | 1    | TH-P-FW10B-UG0314W | DRIVER ASSY.      |        | 1    |
| TH-P-FW10B-KF0408 | FLAT HD.BOLT     | M4×0.7 - 8L  | 2    | TH-P-FW10B-PA3901  | PIN                 |      | 1    | TH-P-FW10B-UG0501  | PUSHER            |        | 1    |
| TH-P-FW10B-KF0510 | FLAT HD.BOLT     | M5×0.8 - 10L | 1    | TH-P-FW10B-UE0101  | BODY                |      | 1    | TH-P-FW10B-UG0601  | MAGAZINE SEAT SET |        | 1    |
| TH-P-FW10B-KM0406 | HEX.SOC.HD.BOLT  | M4×0.7 - 6L  | 2    | TH-P-FW10B-UE0303  | HEAD VALVE PISTON   |      | 1    | TH-P-FW10B-UG3501  | PISTON STOP       |        | 1    |
| TH-P-FW10B-KM0412 | HEX.SOC.HD.BOLT  | M4×0.7 - 12L | 2    | TH-P-FW10B-UE0401  | CAP SEAL            |      | 1    | TH-P-FW10B-UG4201  | MAGAZINE CAP      |        | 1    |
| TH-P-FW10B-KM0520 | HEX.SOC.HD.BOLT  | M5×0.8 - 20L | 6    | TH-P-FW10B-UE0701  | COMPRESSION SPRING  |      | 1    | TH-P-FW10B-UG4301  | GUIDE PLATE       |        | 1    |
| TH-P-FW10B-KM0522 | HEX.SOC.HD.BOLT  | M5×0.8 - 22L | 1    | TH-P-FW10B-UE0801  | CYLINDER            |      | 1    | TH-P-FW10B-UG4401  | NOZZLE            |        | 1    |
| TH-P-FW10B-OA003A | O-RING           | ARP568-003   | 1    | TH-P-FW10B-UE1001  | BUMPER              |      | 1    | TH-P-FW10B-UG4501  | COVER PLATE       |        | 1    |
| TH-P-FW10B-OA004A | O-RING           | ARP568-004   | 1    | TH-P-FW10B-UE1101W | TRIGGER VALVE ASSY. |      | 1    | TH-P-FW10B-UH0901  | PULL SPRING       |        | 1    |
| TH-P-FW10B-OA126A | O-RING           | ARP568-126   | 1    | TH-P-FW10B-UE1201  | COLLAR              |      | 1    | TH-P-FW10B-UH1001  | LATCH             |        | 1    |
| TH-P-FW10B-OA204B | O-RING           | ARP568-204   | 1    | TH-P-FW10B-UE1301  | COMPRESSION SPRING  |      | 1    | TH-P-FW10B-UH1101  | MAGAZINE RETAINER |        | 1    |
| TH-P-FW10B-OB181H | O-RING           | 17.7×3.0     | 1    | TH-P-FW10B-UE1401  | TRIGGER VALVE STEM  |      | 1    | TH-P-FW10B-UH1301  | TRIGGER STOP      |        | 1    |
| TH-P-FW10B-OB221A | O-RING           | 22×3         | 1    | TH-P-FW10B-UE1501  | SEAL                |      | 1    | TH-P-FW10B-YE2501  | E-RING            | 2.5    | 1    |
| TH-P-FW10B-OB271A | O-RING           | 26.8×2.4     | 1    | TH-P-FW10B-UE1601  | TRIGGER VALVE GUIDE |      | 1    | TH-P-FW10B-YG0501  | SPRING WASHER     | 5      | 4    |
| TH-P-FW10B-OP010A | O-RING           | P10          | 1    | TH-P-FW10B-UE1701  | TRIGGER VALVE SEAT  |      | 1    | TH-P-FW10B-YL0508  | LOCK NUT          | M5×0.8 | 1    |
| TH-P-FW10B-OP012A | O-RING           | P12          | 1    | TH-P-FW10B-UE1801  | TRIGGER             |      | 1    |                    |                   |        |      |
| TH-P-FW10B-OS030A | O-RING           | S-30         | 1    | TH-P-FW10B-UE3201  | CYLINDER CAP        |      | 1    |                    |                   |        |      |

If you need to order parts, please mark both Parts No. and Description.