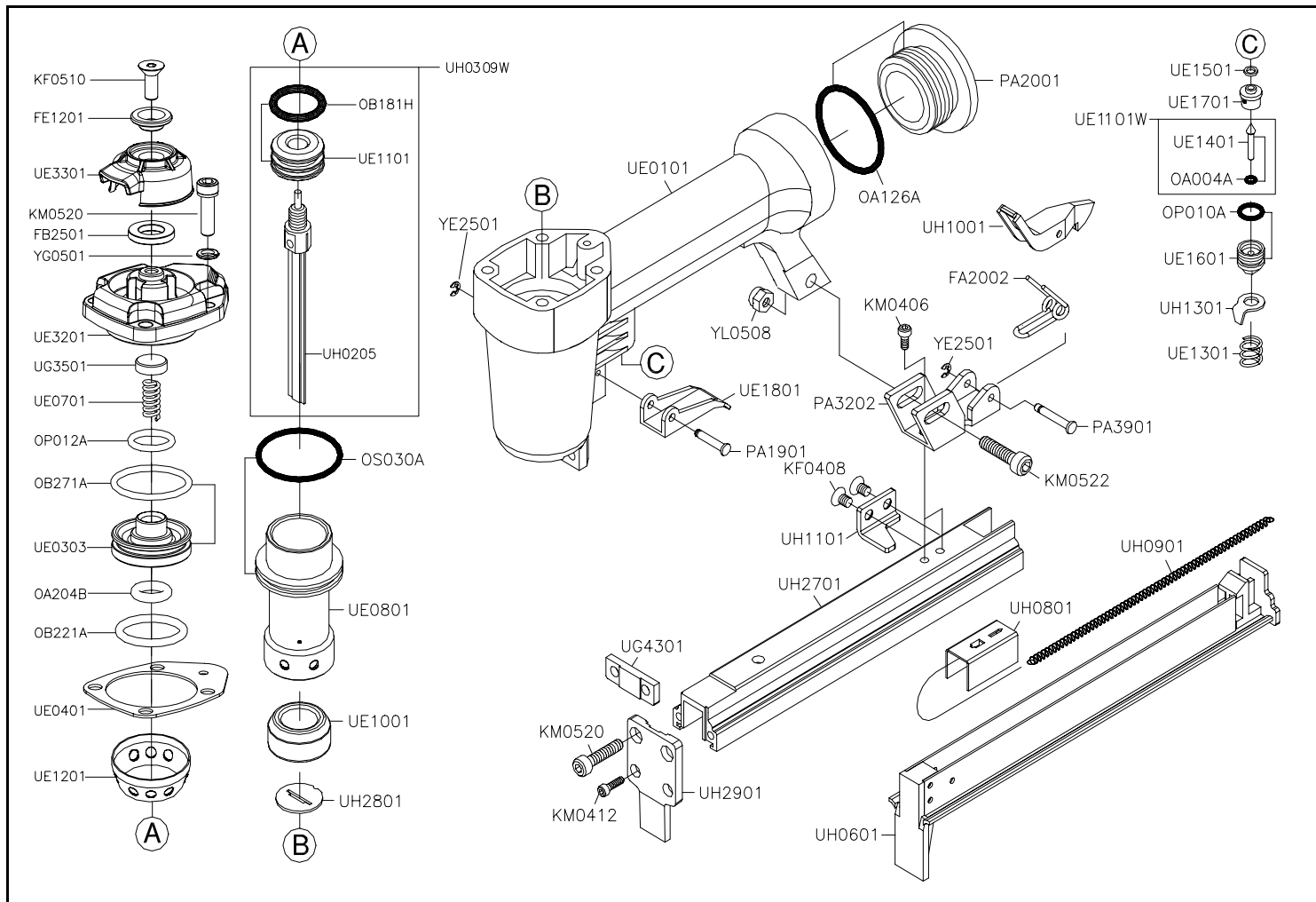


TH-T-FW10C



Parts No.	Description	Spec	Q'ty	Parts No.	Description	Spec	Q'ty	Parts No.	Description	Spec	Q'ty
TH-P-FW10C-FA2002	SPRING		1	TH-P-FW10C-PA2001	END CAP		1	TH-P-FW10C-UE3301	EXHAUST CAP		1
TH-P-FW10C-FB2501	PISTON STOP		1	TH-P-FW10C-PA3202	SUPPORT		1	TH-P-FW10C-UG3501	PISTON STOP		1
TH-P-FW10C-FE1201	EXHAUST CAP RING		1	TH-P-FW10C-PA3901	PIN		1	TH-P-FW10C-UG4301	GUIDE PLATE		1
TH-P-FW10C-KF0408	FLAT HD.BOLT	M4×0.7 - 8L	2	TH-P-FW10C-UE0101	BODY		1	TH-P-FW10C-UH0205	DRIVER SET		1
TH-P-FW10C-KF0510	FLAT HD.BOLT	M5×0.8 - 10L	1	TH-P-FW10C-UE0303	HEAD VALVE PISTON		1	TH-P-FW10C-UH0309W	DRIVER ASSY.		1
TH-P-FW10C-KM0406	HEX.SOC.HD.BOLT	M4×0.7 - 6L	2	TH-P-FW10C-UE0401	CAP SEAL		1	TH-P-FW10C-UH0601	MAGAZINE SEAT SET		1
TH-P-FW10C-KM0412	HEX.SOC.HD.BOLT	M4×0.7 - 12L	2	TH-P-FW10C-UE0701	COMPRESSION SPRING		1	TH-P-FW10C-UH0801	PUSHER		1
TH-P-FW10C-KM0520	HEX.SOC.HD.BOLT	M5×0.8 - 20L	6	TH-P-FW10C-UE0801	CYLINDER		1	TH-P-FW10C-UH0901	PULL SPRING		1
TH-P-FW10C-KM0522	HEX.SOC.HD.BOLT	M5×0.8 - 22L	1	TH-P-FW10C-UE1001	BUMPER		1	TH-P-FW10C-UH1001	LATCH		1
TH-P-FW10C-OA004A	O-RING	ARP568-004	1	TH-P-FW10C-UE1101	MAIN PISTON		1	TH-P-FW10C-UH1101	MAGAZINE RETAINER		1
TH-P-FW10C-OA126A	O-RING	ARP568-126	1	TH-P-FW10C-UE1101W	TRIGGER VALVE ASSY.		1	TH-P-FW10C-UH1301	TRIGGER STOP		1
TH-P-FW10C-OA204B	O-RING	ARP568-204	1	TH-P-FW10C-UE1201	COLLAR		1	TH-P-FW10C-UH2701	MAGAZINE CAP		1
TH-P-FW10C-OB181H	O-RING	17.7×3.0	1	TH-P-FW10C-UE1301	COMPRESSION SPRING		1	TH-P-FW10C-UH2801	NOZZLE		1
TH-P-FW10C-OB221A	O-RING	22×3	1	TH-P-FW10C-UE1401	TRIGGER VALVE STEM		1	TH-P-FW10C-UH2901	COVER PLATE		1
TH-P-FW10C-OB271A	O-RING	26.8×2.4	1	TH-P-FW10C-UE1501	SEAL		1	TH-P-FW10C-YE2501	E-RING	2.5	2
TH-P-FW10C-OP010A	O-RING	P10	1	TH-P-FW10C-UE1601	TRIGGER VALVE GUIDE		1	TH-P-FW10C-YG0501	SPRING WASHER	5	4
TH-P-FW10C-OP012A	O-RING	P12	1	TH-P-FW10C-UE1701	TRIGGER VALVE SEAT		1	TH-P-FW10C-YL0508	LOCK NUT	M5×0.8	1
TH-P-FW10C-OS030A	O-RING	S-30	1	TH-P-FW10C-UE1801	TRIGGER		1				
TH-P-FW10C-PA1901	PIN		1	TH-P-FW10C-UE3201	CYLINDER CAP		1				

If you need to order parts, please mark both Parts No. and Description.