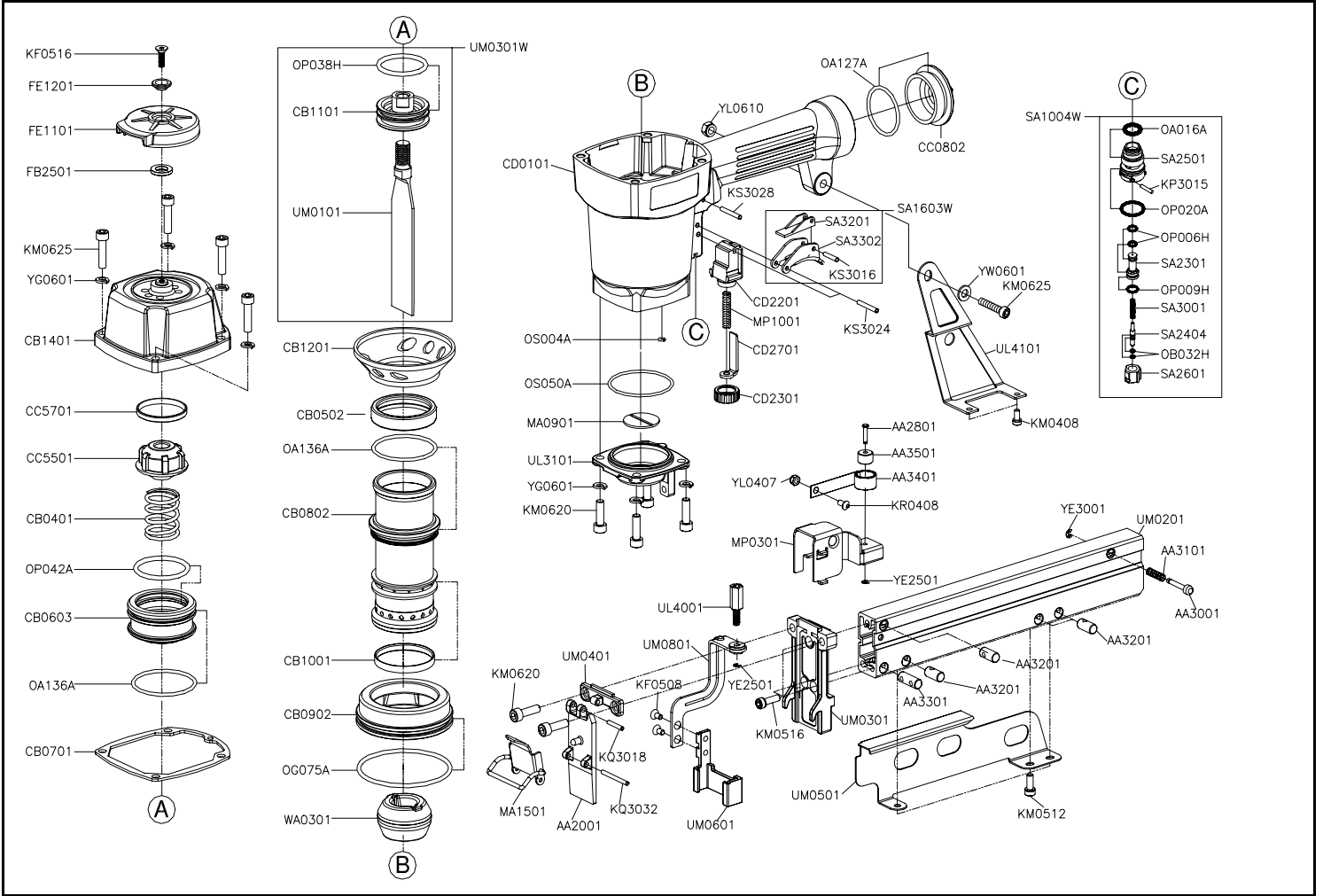


TH-T-P200



Parts No.	Description	Spec	Q'ty	Parts No.	Description	Spec	Q'ty	Parts No.	Description	Spec	Q'ty
TH-P-P200-AA2001	ADJUSTABLE PLATE(B)		1	TH-P-P200-KF0516	FLAT HD.BOLT	M5×0.8 - 16L	1	TH-P-P200-SA1004W	RESTRICTIVE TRIGGER ASSY.		1
TH-P-P200-AA2801	PIN		1	TH-P-P200-KM0408	HEX SOC.HD.BOLT	M4×0.7 - 8L	2	TH-P-P200-SA1603W	TRIGGER ASSY.		1
TH-P-P200-AA3001	STOP PIN		1	TH-P-P200-KM0512	HEX SOC.HD.BOLT	M5×0.8 - 12L	2	TH-P-P200-SA2301	PILOT VALVE		1
TH-P-P200-AA3101	COMPRESSION SPRING		1	TH-P-P200-KM0516	HEX SOC.HD.BOLT	M5×0.8 - 16L	3	TH-P-P200-SA2404	TRIGGER VALVE STEM		1
TH-P-P200-AA3201	NUT ROLLER		4	TH-P-P200-KM0620	HEX SOC.HD.BOLT	M6×1.0 - 20L	6	TH-P-P200-SA2501	TRIGGER VALVE SEAT		1
TH-P-P200-AA3301	NUT ROLLER		1	TH-P-P200-KM0625	HEX SOC.HD.BOLT	M6×1.0 - 25L	5	TH-P-P200-SA2601	TRIGGER VALVE SEAT		1
TH-P-P200-AA3401	PUSHER SPRING		1	TH-P-P200-KP3015	PARALLEL PIN	3×15L	2	TH-P-P200-SA3001	COMPRESSION SPRING		1
TH-P-P200-AA3501	ROLLER		1	TH-P-P200-KQ3018	SPRING PIN	3×18L	1	TH-P-P200-SA3201	CONTACT LEVER		1
TH-P-P200-CB0401	COMPRESSION SPRING		1	TH-P-P200-KQ3032	SPRING PIN	3×32L	1	TH-P-P200-SA3302	TRIGGER		1
TH-P-P200-CB0502	CYLINDER RING		1	TH-P-P200-KR0408	BUTTON HD.BOLT	M4×0.7 - 8L	1	TH-P-P200-UL3101	SIDE PLATE(L.H.)		1
TH-P-P200-CB0603	HEAD VALVE PISTON		1	TH-P-P200-KS3016	SPRING PIN	3-16L	1	TH-P-P200-UL4001	ADJUSTING PIN		1
TH-P-P200-CB0701	CAP SEAL		1	TH-P-P200-KS3024	SPRING PIN	3-24L	2	TH-P-P200-UL4101	SUPPORT		1
TH-P-P200-CB0802	CYLINDER		1	TH-P-P200-KS3028	SPRING PIN	3-28L	1	TH-P-P200-UM0101	DRIVER		1
TH-P-P200-CB0902	CYLINDER RING		1	TH-P-P200-MA0901	NOZZLE		1	TH-P-P200-UM0201	MAGAZINE SEAT		1
TH-P-P200-CB1001	CHECK SEAL		1	TH-P-P200-MA1501	SUPPORT SET ASSY.		1	TH-P-P200-UM0301	GUIDE PLATE		1
TH-P-P200-CB1101	MAIN PISTON		1	TH-P-P200-MP0301	PUSHER		1	TH-P-P200-UM0301W	DRIVER ASSY.		1
TH-P-P200-CB1201	COLLAR		1	TH-P-P200-MP1001	COMPRESSION SPRING		1	TH-P-P200-UM0401	ADJUSTABLE PLATE(A)		1
TH-P-P200-CB1401	CYLINDER CAP		1	TH-P-P200-OA016A	O-RING	ARP568-016	1	TH-P-P200-UM0501	COVER MAGAZINE		1
TH-P-P200-CC0802	END CAP		1	TH-P-P200-OA127A	O-RING	ARP568-127	1	TH-P-P200-UM0601	WORK CONTACTING ELEMENT(A)		1
TH-P-P200-CC5501	PISTON STOP		1	TH-P-P200-OA136A	O-RING	ARP568-136	2	TH-P-P200-UM0801	WORK CONTACTING ELEMENT(B)		1
TH-P-P200-CC5701	SPACER		1	TH-P-P200-OB032H	O-RING	2.5×1.4	2	TH-P-P200-WA0301	BUMPER		1
TH-P-P200-CD0101	BODY		1	TH-P-P200-OG075A	O-RING	G75	1	TH-P-P200-YE2501	E-RING	2.5	2
TH-P-P200-CD2201	SAFETY SET		1	TH-P-P200-OP006H	O-RING	5.8×1.9	2	TH-P-P200-YE3001	E-RING	3.0	1
TH-P-P200-CD2301	ADJUSTING WHEEL		1	TH-P-P200-OP009H	O-RING	8.8×1.9	1	TH-P-P200-YG0601	SPRING WASHER	6	8
TH-P-P200-CD2701	SAFETY		1	TH-P-P200-OP020A	O-RING	P20	1	TH-P-P200-YL0407	LOCK NUT	M4×0.7	1
TH-P-P200-FB2501	PISTON STOP		1	TH-P-P200-OP038H	O-RING	37.7×3.5	1	TH-P-P200-YL0610	LOCK NUT	M6×1.0	1
TH-P-P200-FE1101	EXHAUST CAP		1	TH-P-P200-OP042A	O-RING	P42	1	TH-P-P200-YW0601	FLAT WASHER	6	1
TH-P-P200-FE1201	EXHAUST CAP RING		1	TH-P-P200-OS004A	O-RING	S-4	1				
TH-P-P200-KF0508	FLAT HD.BOLT	M5×0.8 - 8L	2	TH-P-P200-OS050A	O-RING	S-50	1				

If you need to order parts, please mark both Parts No. and Description.